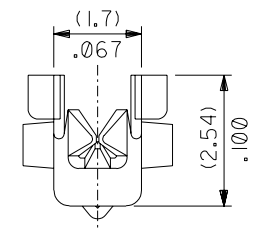
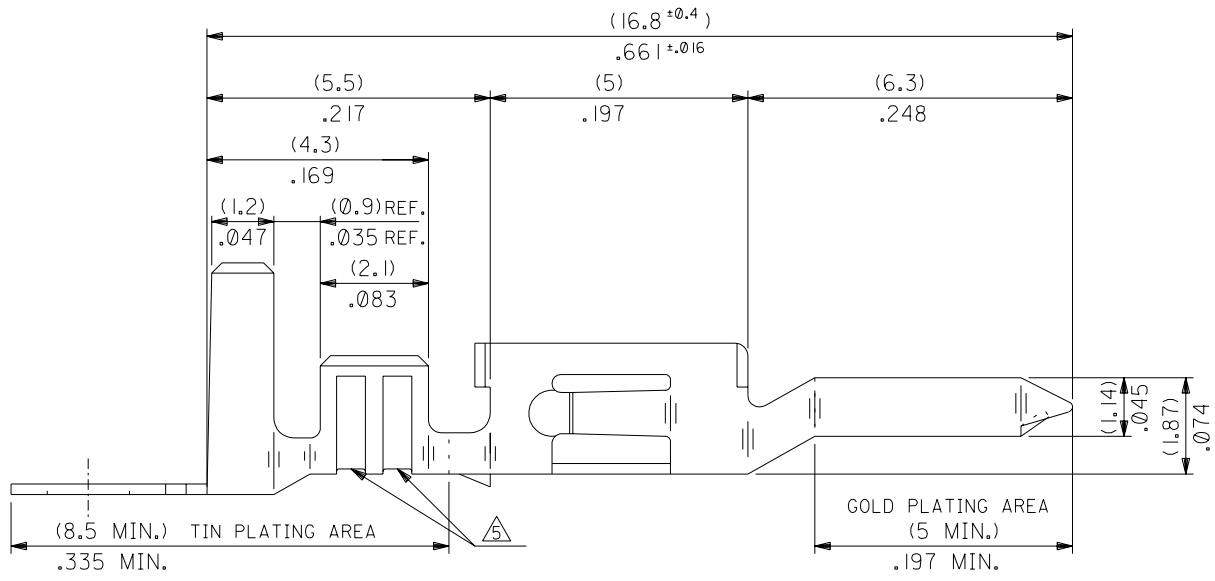
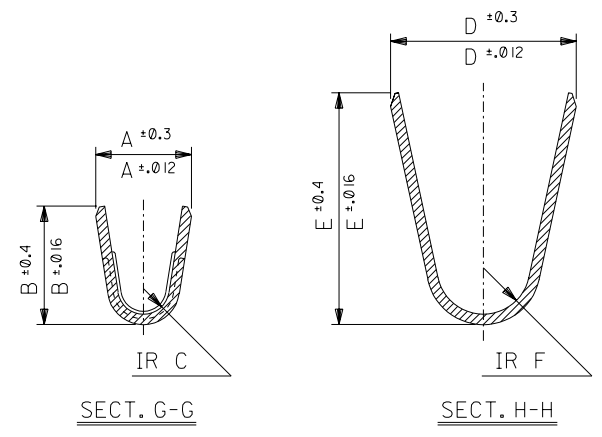
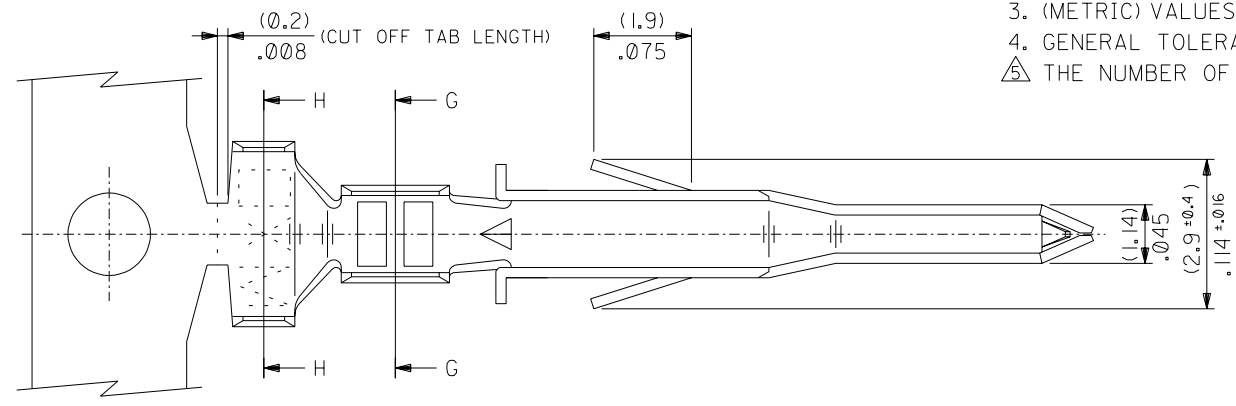


- NOTES
1. APPLICABLE HOUSING : 5559 SERIES
  2. MATES WITH TERMINAL : 5556 SERIES
  3. (METRIC) VALUES SHOWN GOVERN OVER ENGLISH CONVERSION VALUES.
  4. GENERAL TOLERANCES OF ENGLISH CONVERSION VALUES :  $\pm .008$  INCH
- $\triangle$  THE NUMBER OF SERRATIONS TO BE ONE FOR WIRE RANGE #22-28.



		材料 MATERIAL		SEE SHEET 2 OF 2	molex MOLEX-JAPAN CO.,LTD. 日本モレックス株式会社	
		仕上げ FINISH		SEE SHEET 2 OF 2	EDP. NO. SEE SHEET 2 OF 2	
		適用電線範囲 WIRE RANGE		SEE SHEET 2 OF 2	ENG. NO. SHEET 1 OF 2 SD-5558**GS**	
		被覆外径 INS. RANGE		SEE SHEET 2 OF 2	REV D	
角度 ANGLE	$\pm 3^\circ$	D	REVISED (J2004-3266)	Y.S. K.T.	04/4/8	
30以上 OVER	$\pm 0.3$	C	REVISED (J10381)	H.H.	9/16/25	
10以上 OVER 30未満 UNDER	$\pm 0.25$	B	REVISED & REDRAWN (J10202)	H.H.	9/14/27	
10未満 UNDER	$\pm 0.2$	記号 LTR	変更内容 REVISION RECORD	DR. CHK.	日付 DATE	
一般公差 GENERAL TOLERANCES		REVISE ONLY ON CAD SYSTEM				
		DRAWN BY '91/3/13 H.HIRAMOTO		CHK'D BY '92/05/21 M.FUKUSHIMA		TITLE 名称 NEW MINI. FIT CONN. CRIMP PIN -LEAD FREE-
		APP'D BY '92/05/21 M.ENOMOTO		尺度 SCALE 10 - 1		

ENG. NO  
SD-5558\*\*GS\*\*

SEE CHART

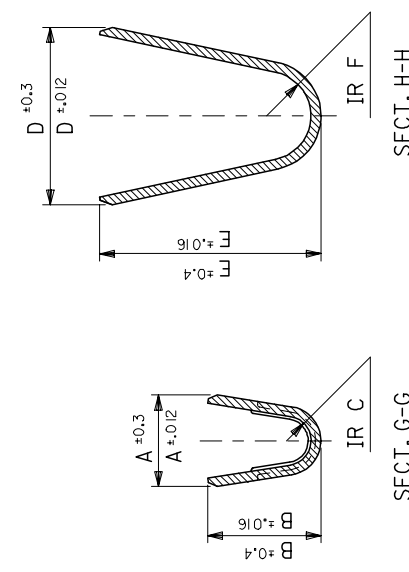
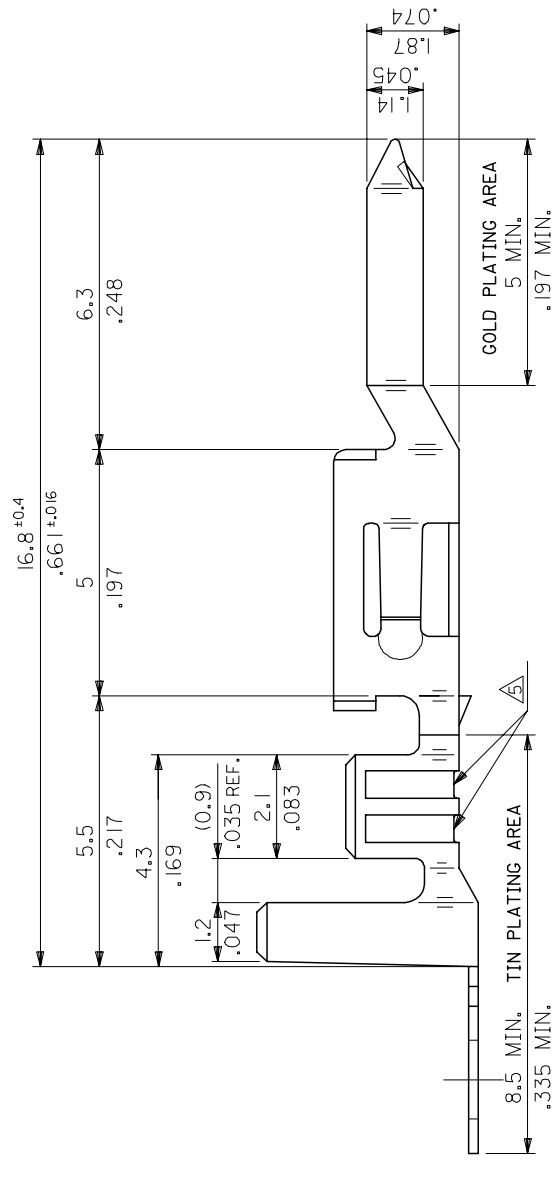
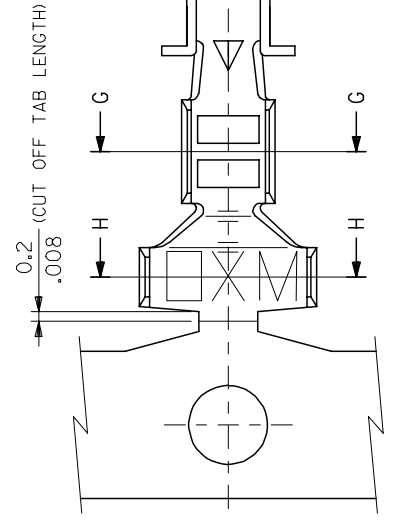
DIMENSIONS IN METRIC DO NOT SCALE DRAWING

8 7 6 5 4 3 2 1

MATERIAL	FINISH	F	E	D	C	B	A	INS. RANGE	WIRE RANGE	EDP NO.	MATERIAL NO.	FORM
PHOSPHOR BRONZE	SELECTIVE GOLD (0.76μm)/30m.i. MIN. AND SELECTIVE TIN (2.03μm)/80m.i. MIN. OVER NICKEL (1.27μm)/50m.i. MIN.	(0.9) .035	(4.5) .177	(3.6) .142	(0.6) .024	(2.7) .106	(2.3) .091	∅ (3.1) .122 MAX.	# 16	39-00-0224	5558 PBGS3L	LOOSE
		(0.6) .024	(2.3) .091	(2.3) .091	(0.4) .016	(1.65) .065	(1.8) .071	∅ (0.9-1.8) .035-.071	#22-28	-0223	PBGS3	CHAIN
		(0.9) .035	(4.5) .177	(3.6) .142	(0.5) .020	(2.3) .091	(1.9) .075	∅ (1.3-3.1) .051-.122	# 18-24	-0222	PBGS2L	LOOSE
		(0.9) .035	(4.5) .177	(3.6) .142	(0.5) .020	(2.3) .091	(1.9) .075	∅ (1.3-3.1) .051-.122	# 18-24	-0221	PBGS2	CHAIN
		(0.9) .035	(4.5) .177	(3.6) .142	(0.5) .020	(2.3) .091	(1.9) .075	∅ (1.3-3.1) .051-.122	# 18-24	-0220	PBGS2L	LOOSE
		(0.9) .035	(4.5) .177	(3.6) .142	(0.5) .020	(2.3) .091	(1.9) .075	∅ (1.3-3.1) .051-.122	# 18-24	-0219	PBGS	CHAIN
BRASS	SELECTIVE GOLD (1.27μm)/50m.i. MIN. AND SELECTIVE TIN (2.54μm)/100m.i. MIN. OVER NICKEL (1.27μm)/50m.i. MIN.	(0.9) .035	(4.5) .177	(3.6) .142	(0.6) .024	(2.7) .106	(2.3) .091	∅ (3.1) .122 MAX.	# 16	-0148	GS9L	LOOSE
		(0.6) .024	(2.3) .091	(2.3) .091	(0.4) .016	(1.65) .065	(1.8) .071	∅ (0.9-1.8) .035-.071	#22-28	-0147	GS9	CHAIN
		(0.9) .035	(4.5) .177	(3.6) .142	(0.5) .020	(2.3) .091	(1.9) .075	∅ (1.3-3.1) .051-.122	# 18-24	-0146	GS8L	LOOSE
		(0.9) .035	(4.5) .177	(3.6) .142	(0.5) .020	(2.3) .091	(1.9) .075	∅ (1.3-3.1) .051-.122	# 18-24	39-00-0145	GS8	CHAIN
		(0.9) .035	(4.5) .177	(3.6) .142	(0.5) .020	(2.3) .091	(1.9) .075	∅ (1.3-3.1) .051-.122	# 18-24	40-13-0854	GS7L	LOOSE
		(0.9) .035	(4.5) .177	(3.6) .142	(0.5) .020	(2.3) .091	(1.9) .075	∅ (1.3-3.1) .051-.122	# 18-24	40-13-0853	GS7	CHAIN
	SELECTIVE GOLD (0.38μm)/15m.i. MIN. AND SELECTIVE TIN (2.03μm)/80m.i. MIN. OVER NICKEL (1.27μm)/50m.i. MIN.	(0.9) .035	(4.5) .177	(3.6) .142	(0.6) .024	(2.7) .106	(2.3) .091	∅ (3.1) .122 MAX.	# 16	39-00-0100	GS6L	LOOSE
		(0.6) .024	(2.3) .091	(2.3) .091	(0.4) .016	(1.65) .065	(1.8) .071	∅ (0.9-1.8) .035-.071	#22-28	-0099	GS6	CHAIN
		(0.9) .035	(4.5) .177	(3.6) .142	(0.5) .020	(2.3) .091	(1.9) .075	∅ (1.3-3.1) .051-.122	# 18-24	-0098	GS5L	LOOSE
		(0.9) .035	(4.5) .177	(3.6) .142	(0.5) .020	(2.3) .091	(1.9) .075	∅ (1.3-3.1) .051-.122	# 18-24	-0097	GS5	CHAIN
		(0.9) .035	(4.5) .177	(3.6) .142	(0.5) .020	(2.3) .091	(1.9) .075	∅ (1.3-3.1) .051-.122	# 18-24	-0076	GS4L	LOOSE
		(0.9) .035	(4.5) .177	(3.6) .142	(0.5) .020	(2.3) .091	(1.9) .075	∅ (1.3-3.1) .051-.122	# 18-24	-0075	GS4	CHAIN
SELECTIVE GOLD (0.76μm)/30m.i. MIN. AND SELECTIVE TIN (2.03μm)/80m.i. MIN. OVER NICKEL (1.27μm)/50m.i. MIN.	(0.9) .035	(4.5) .177	(3.6) .142	(0.6) .024	(2.7) .106	(2.3) .091	∅ (3.1) .122 MAX.	# 16	-0096	GS3L	LOOSE	
	(0.6) .024	(2.3) .091	(2.3) .091	(0.4) .016	(1.65) .065	(1.8) .071	∅ (0.9-1.8) .035-.071	#22-28	-0095	GS3	CHAIN	
	(0.9) .035	(4.5) .177	(3.6) .142	(0.5) .020	(2.3) .091	(1.9) .075	∅ (1.3-3.1) .051-.122	# 18-24	-0433	GS2L7F	LOOSE	
	(0.9) .035	(4.5) .177	(3.6) .142	(0.5) .020	(2.3) .091	(1.9) .075	∅ (1.3-3.1) .051-.122	# 18-24	-0432	GS27F	CHAIN	
	(0.9) .035	(4.5) .177	(3.6) .142	(0.5) .020	(2.3) .091	(1.9) .075	∅ (1.3-3.1) .051-.122	# 18-24	-0431	GSL7F	LOOSE	
	(0.9) .035	(4.5) .177	(3.6) .142	(0.5) .020	(2.3) .091	(1.9) .075	∅ (1.3-3.1) .051-.122	# 18-24	39-00-0430	5558 GS7F	CHAIN	

材料 MATERIAL		SEE CHART		MOLEX-JAPAN CO.,LTD. 日本モレックス株式会社	
THICKNESS : (0.203)/.008					
仕上げ FINISH		SEE CHART		EDP. NO.	
適用電線範囲 WIRE RANGE		SEE CHART		SEE CHART	
被覆外径 INS. RANGE		SEE CHART		ENG. NO. SHEET 2 OF 2 REV D	
DRAWN BY '91/3/13 H.HIRAMOTO		CHK'D BY '92/05/21 M.FUKUSHIMA		TITLE 名称	
APP'D BY '92/05/21 M.ENOMOTO		尺 度 SCALE 10 - 1		NEW MINI. FIT CONN. CRIMP PIN -LEAD FREE-	
角度 ANGLE	±3°	D	SEE SHEET 1 OF 2	Y.S. K.T.	04/4/8
30 以上 OVER	+0.3	C	SEE SHEET 1 OF 2	H.H.	9/16/25
10 以上 OVER 30 未満 UNDER	+0.25	B	SEE SHEET 1 OF 2	H.H. Y.Y.	9/14/27
10 未満 UNDER	+0.2	A	SEE SHEET 1 OF 2	DR. CHK.	日付 DATE
一般公差 GENERAL TOLERANCES	REVISE ONLY ON CAD SYSTEM				

- NOTES
1. APPLICABLE HOUSING : 5559 SERIES
  2. MATES WITH TERMINAL : 5556 SERIES
  3. (METRIC) VALUES SHOWN GOVERN OVER ENGLISH CONVERSION VALUES.
  4. GENERAL TOLERANCES OF ENGLISH CONVERSION VALUES : ±.008 INCH
- ▲ THE NUMBER OF SERRATIONS TO BE ONE FOR WIRE RANGE #22-28.



GENERAL TOLERANCES (UNLESS SPECIFIED)		MM ONLY	SCALE 10:1	DESIGN UNITS METRIC	THIRD ANGLE PROJECTION
10 UNDER ±0.2	10 OVER ±0.25	DRAWN BY H. HIRAMOTO '91/03/13	TITLE NEW MINI FIT CONN CRIMP PIN -LEAD FREE-	MOLEX INCORPORATED	
30 OVER ±0.3	ANGULAR ±3 °	CHECKED BY M. FUKUSHIMA '92/05/21	DOCUMENT NO. SD-5558-002	SHEET NO. 1 OF 2	
DRAFT WHERE APPLICABLE MUST REMAIN WITHIN DIMENSIONS		APPROVED BY M. ENOMOTO '92/05/21	MATERIAL NO. SEE CHART		
REVISIONS		SIZE THIS DRAWING CONTAINS INFORMATION THAT IS PROPRIETARY TO MOLEX INCORPORATED AND SHOULD NOT BE USED WITHOUT WRITTEN PERMISSION			
REV	DESCRIPTION				
1	FC NO: J2005-2285				
2	DRWN:MNABEI				
3	CHKD:KTJ0				
4	APR:NUKITA				
5					
6					
7					
8					
9					
10					

10 9 8 7 6 5 4 3 2 1

F F F E D C B A

MATERIAL	FINISH						F	E	D	C	B	A	INS. RANGE	WIRE RANGE	EDP NO.	ENG NO.	FORM					
	GENERAL TOLERANCES (UNLESS SPECIFIED)																	SCALE		DESIGN UNITS		THIRD ANGLE PROJECTION
	10 UNDER 30 OVER ANGULAR ±3° DRAFT WHERE APPLICABLE MUST REMAIN WITHIN DIMENSIONS																	MM ONLY	MM ONLY	METRIC	MM ONLY	
PHOSPHOR BRONZE	0.9	4.5	3.6	0.6	2.7	2.3	∅	3.1	MAX.	# 16	39-00-0224	5558 PBGS3L	LOOSE CHAIN									
	.035	.177	.142	.024	.106	.091		.122				PBGS3	CHAIN									
SELECTIVE GOLD AND OVER NICKEL	0.6	2.3	2.3	0.4	1.65	1.8	∅	0.9-1.8	# 22-28	# 22-28	-0222	PBGS2L	LOOSE CHAIN									
	.024	.091	.091	.016	.065	.071		.035-.071			-0221	PBGS2	CHAIN									
SELECTIVE GOLD AND OVER NICKEL	0.9	4.5	3.6	0.5	2.3	1.9	∅	1.3-3.1	# 18-24	# 18-24	-0220	PBGS1	LOOSE CHAIN									
	.035	.177	.142	.020	.091	.075		.051-.122			-0219	PBGS	CHAIN									
SELECTIVE GOLD AND OVER NICKEL	0.9	4.5	3.6	0.6	2.7	2.3	∅	3.1	MAX.	# 16	-0148	GS9L	LOOSE CHAIN									
	.035	.177	.142	.024	.106	.091		.122			-0147	GS9	CHAIN									
SELECTIVE GOLD AND OVER NICKEL	0.6	2.3	2.3	0.4	1.65	1.8	∅	0.9-1.8	# 22-28	# 22-28	-0146	GS8L	LOOSE CHAIN									
	.024	.091	.091	.016	.065	.071		.035-.071			-0145	GS8	CHAIN									
SELECTIVE GOLD AND OVER NICKEL	0.9	4.5	3.6	0.5	2.3	1.9	∅	1.3-3.1	# 18-24	# 18-24	39-00-0145	GS7L	LOOSE CHAIN									
	.035	.177	.142	.020	.091	.075		.051-.122			40-13-0854	GS7	CHAIN									
SELECTIVE GOLD AND OVER NICKEL	0.9	4.5	3.6	0.6	2.7	2.3	∅	3.1	MAX.	# 16	39-00-0100	GS6L	LOOSE CHAIN									
	.035	.177	.142	.024	.106	.091		.122			-0099	GS6	CHAIN									
SELECTIVE GOLD AND OVER NICKEL	0.6	2.3	2.3	0.4	1.65	1.8	∅	0.9-1.8	# 22-28	# 22-28	-0098	GS5L	LOOSE CHAIN									
	.024	.091	.091	.016	.065	.071		.035-.071			-0097	GS5	CHAIN									
SELECTIVE GOLD AND OVER NICKEL	0.9	4.5	3.6	0.5	2.3	1.9	∅	1.3-3.1	# 18-24	# 18-24	-0076	GS4L	LOOSE CHAIN									
	.035	.177	.142	.020	.091	.075		.051-.122			-0075	GS4	CHAIN									
SELECTIVE GOLD AND OVER NICKEL	0.9	4.5	3.6	0.6	2.7	2.3	∅	3.1	MAX.	# 16	-0096	GS3L	LOOSE CHAIN									
	.035	.177	.142	.024	.106	.091		.122			-0095	GS3	CHAIN									
SELECTIVE GOLD AND OVER NICKEL	0.6	2.3	2.3	0.4	1.65	1.8	∅	0.9-1.8	# 22-28	# 22-28	-0433	GS2L7F	LOOSE CHAIN									
	.024	.091	.091	.016	.065	.071		.035-.071			-0432	GS27F	CHAIN									
SELECTIVE GOLD AND OVER NICKEL	0.9	4.5	3.6	0.5	2.3	1.9	∅	1.3-3.1	# 18-24	# 18-24	-0431	GS17F	LOOSE CHAIN									
	.035	.177	.142	.020	.091	.075		.051-.122			39-00-0430	5558 GS7F	CHAIN									

DRAWN BY: H.HIRAMOTO '91/03/13 CHECKED BY: M.FUKUSHIMA '92/05/21 APPROVED BY: M.ENOMOTO '92/05/21	DIMENSION STYLE: MM ONLY SCALE: 10:1	TITILE: NEW MINI FIT CONN CRIMP PIN -LEAD FREE- DOCUMENT NO.: MOLEX INCORPORATED
FC NO: 12005-2285 DRAWN: MNABEL CHECKED: TOJO APPR: NUKITA 2005/07/06	DIMENSION STYLE: MM ONLY SCALE: 10:1	TITILE: NEW MINI FIT CONN CRIMP PIN -LEAD FREE- DOCUMENT NO.: MOLEX INCORPORATED
REVISIONS: REVISION NO. 1 DESCRIPTION:	DIMENSION STYLE: MM ONLY SCALE: 10:1	TITILE: NEW MINI FIT CONN CRIMP PIN -LEAD FREE- DOCUMENT NO.: MOLEX INCORPORATED
FC NO: 12005-2285 DRAWN: MNABEL CHECKED: TOJO APPR: NUKITA 2005/07/06	DIMENSION STYLE: MM ONLY SCALE: 10:1	TITILE: NEW MINI FIT CONN CRIMP PIN -LEAD FREE- DOCUMENT NO.: MOLEX INCORPORATED
FC NO: 12005-2285 DRAWN: MNABEL CHECKED: TOJO APPR: NUKITA 2005/07/06	DIMENSION STYLE: MM ONLY SCALE: 10:1	TITILE: NEW MINI FIT CONN CRIMP PIN -LEAD FREE- DOCUMENT NO.: MOLEX INCORPORATED
FC NO: 12005-2285 DRAWN: MNABEL CHECKED: TOJO APPR: NUKITA 2005/07/06	DIMENSION STYLE: MM ONLY SCALE: 10:1	TITILE: NEW MINI FIT CONN CRIMP PIN -LEAD FREE- DOCUMENT NO.: MOLEX INCORPORATED

SEE CAHRT  
 THIS DRAWING CONTAINS INFORMATION THAT IS PROPRIETARY TO MOLEX INCORPORATED AND SHOULD NOT BE USED WITHOUT WRITTEN PERMISSION